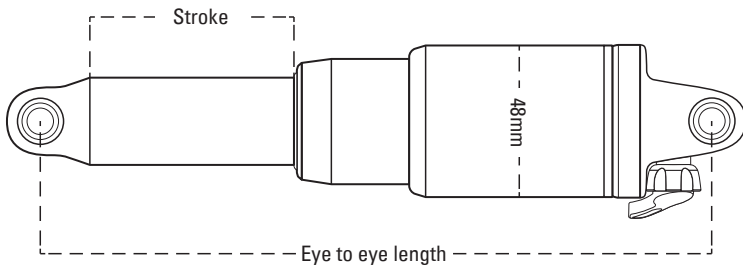


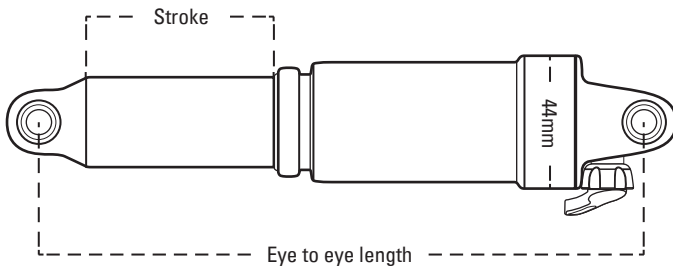
STEP 1: SELECTION BY DIMENSION / STROKE

In order to select the right rear shock, first make sure you select the right eye to eye length and the right stroke. These information can be provided by your frame or bicycle supplier.



DUAir RC	
Eye to eye	Stroke
200mm	51mm
200mm	57mm
216mm	63mm

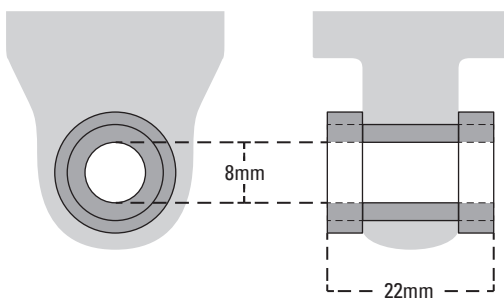
DUAir LO-R & LO-R8	
Eye to eye	Stroke
200mm	51mm
200mm	57mm
216mm	63mm



UNAir LO-R & LO-R8	
Eye to eye	Stroke
165mm	38mm
184mm	44mm
190mm	51mm

LO-R = 100% lockout
LO-R8 = 80% lockout

STEP 2: SELECTION BY MOUNTING STANDARD



Once you found the right length and stroke, please make sure the mounting size of your frame fits to the selected SRSUNTOUR rear shock. The image on the left shows our factory standard setup. Different widths and diameters are available on demand.

STEP 3: SELECTION BY LEVERAGE RATIO

For proper performance the characteristic of frame and rear shock need to match.
Please contact your bicycle/ frame manufacturer first for this information before selecting the rear shock, otherwise the performance might not be satisfactory.

UNAIR

The UNAir has been designed with a fixed ratio between 2.5 and 2.7.



DUAIR

The DUAir with its adaptable air volume by changing the size of the air pipe, is able to fit the following leverage ratios. The M sized pipe is delivered as stock size.

	1,6 - 2,0	2,0 - 2,3	2,3 - 2,7	2,7 - 3,0
RATIO				
Small Pipe 24mm RLB-048-51				
Medium Pipe 48mm RLB-048-41 (stock size)				
Large Pipe 60mm RLB-048-31				
XLarge Pipe 73mm RLB-048-11				

SR SUNTOUR INC. (TAIWAN), #7 Hsing Yeh Road, Fu Hsing Industrial Zone Chang Hua, Taiwan, R.O.C.
Tel: +886- (0)4-769-5115, Fax: +886- (0)4-769-4028, E-Mail: orders@srsuntour.com.tw

SRSUNTOUR Europe GmbH, Riedstrasse 31, 83627 Warngau, Germany
Tel: + 49 (0)8021 50 793-0, E-Mail: service@srsuntour-cycling.com