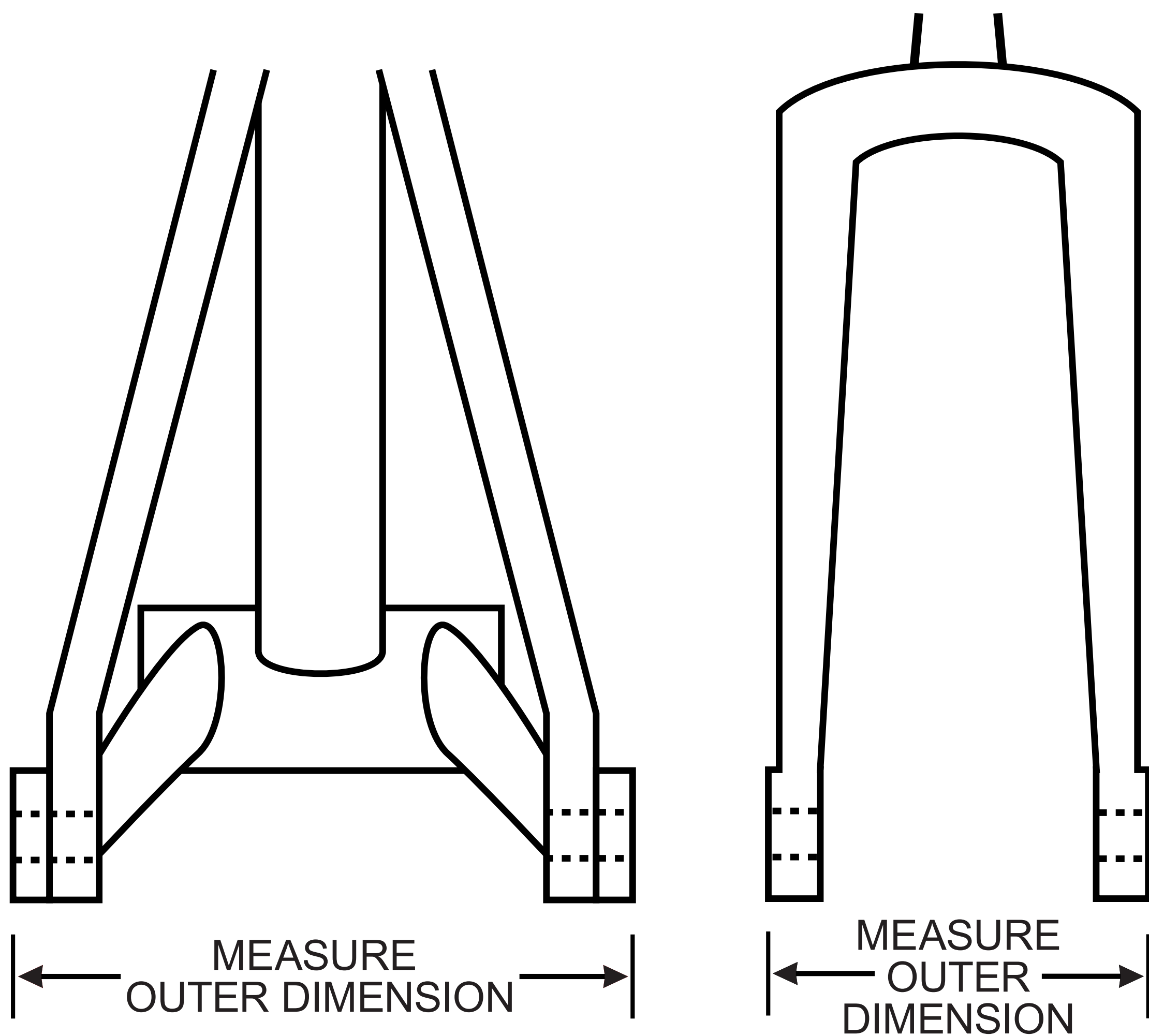




Set N' Forget



#1

MEASURE
OUTER DIMENSION

MEASURE
OUTER
DIMENSION

#2 Choose product that best matches your measurement

#3 Read handle adjustment instructions before installing

15mm x 1.5 threading

127 mm

134 mm

142 mm

148 mm

171 mm

185 mm

Special threading

3T

Fox

Fox Boost

12mm x 1.5 threading

127 mm

163 mm

170 mm

176 mm

227 mm

12mm x 1.0 threading

163 mm

166 mm

170 mm

NUTS AVAILABLE FOR 12MM AND 15MM AXLES WITH 1.5 THREADING