

INSTRUCTION SHEET FOR SEATPOST ROAD

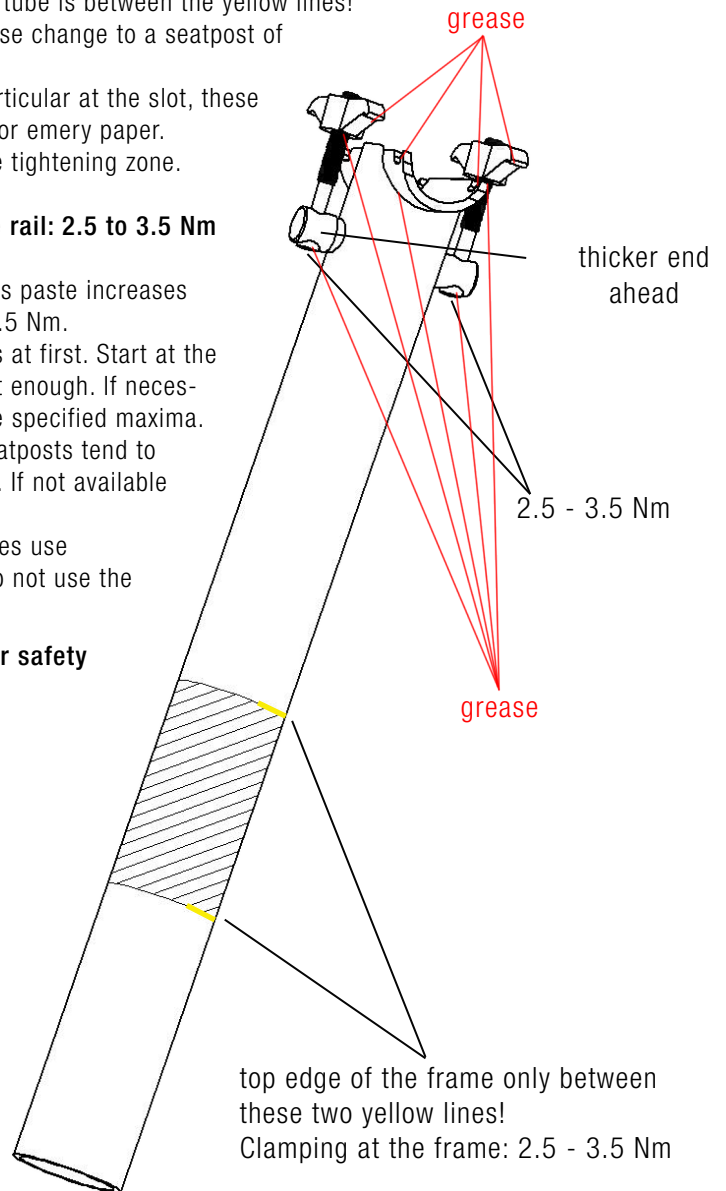
Your seatpost is made of extremely strong carbon fibres which are highly tear-resistant. Due to the nature of the material it is vulnerable to pressure or when being cut by sharp edges or being drilled. Hence we must ask you to follow the safety instructions below to the letter:

- The seatpost must be clamped in the reinforced area only. Within this area the tube is designed to accept the clamping forces. Make sure the frame's seat tube is between the yellow lines! If you cannot adjust your seatheight within this range, please change to a seatpost of appropriate length.
- If there are any sharp edges at the end of the frame, in particular at the slot, these must be smoothed prior to fitting our seatpost using a file or emery paper.
- Take care that no dirt or metal chips are trapped inside the tightening zone.
- Pay attention to the permitted tightening torques!

greased titanium screws for mounting the saddle rail: 2.5 to 3.5 Nm
clamping at the frame: 2.5 to 3.5 Nm

- Apply the enclosed fitting paste on the tightening zone. This paste increases friction and reduces the necessary tightening torques by 1.5 Nm.
- Do not tighten the screws to the specified maximum values at first. Start at the lowest specified values and check if the connection is tight enough. If necessary increase the tightening torques, but do not exceed the specified maxima.
- Do not mount the seatpost dry in the frame. Dry carbon seatposts tend to corrode in metal frames. Use the enclosed mounting paste. If not available use grease instead of.
- If the railing of your carbon saddle is prone to making noises use grease only for the yoke and the halfpipe contact areas. Do not use the carbon mounting paste there.

If the specified maximum values are exceeded you put your safety and health at risk and the warranty expires.



WARRANTY SEATPOST

You have purchased a product Made in Germany, each and every handlebar is manufactured by hand and has passed a thorough final inspection. Ever since our first carbon fibre road bar came out in 1992 our products have been the benchmark for both weight and reliability.

Our products have been tested and have received praise time and again. On top of that athletes have trusted us for their most important races. The Topeak-Ergon-Team with Wolfram Kurschat and Irina Kalentieva, and the Central Ghost Team with Sabine Spitz and Lisi Osl, as well as the M.I.G. Team ride our bars and seatposts. Sabine Spitz and Jan Frodeno won the gold medal in the MTB and Triathlon races in Beijing 2008 using Schmolke products.

Our seatposts are computer-designed composed of a custom-built fibre layering to meet your individual demands. We therefore consider our products strong and reliable enough to offer a free replacement warranty if our seatposts should fail due to a fault in material or manufacture within three years after the date of purchase.