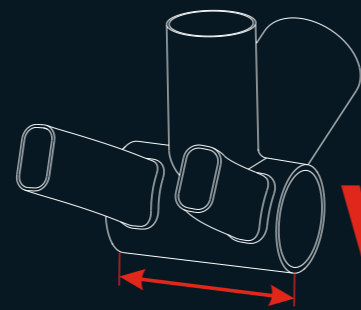
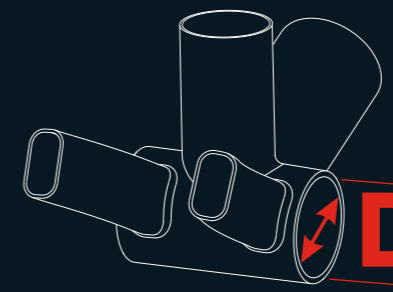


# ROTOR STANDARD DEVIATION BB COLLECTION MOUNTAIN BIKE



**W** FRAME DIMENSION  
SHELL WIDTH



**D** FRAME DIMENSION  
INNER DIAMETER



**ROTOR**  
BOTTOM BRACKET  
COMPATIBILITY



**ROTOR**  
CRANK  
COMPATIBILITY



## IS YOUR FRAME THREADED?

**YES**

**W** = 68 mm  
73 mm  
**BSA**

**24 mm SPINDLE**

BB1 BSA  
SABB BSA

3D  
AGILIS  
(All Shimano compatible)

**30 mm SPINDLE**

BSA30

3D+

**YES**

<b>NO</b>		<b>D = 37 mm</b> <b>BB90</b>		<b>D = 41 mm</b>		<b>D = 42 mm</b>		<b>D = 46 mm</b>	
		<b>W</b> = 89,5 mm <b>BB89</b>	<b>W</b> = 92 mm <b>BB92</b>	<b>W</b> = 68 mm <b>BB30</b> 68 mm	<b>W</b> = 73 mm <b>BB30</b> 73 mm	<b>W</b> = 68 mm <b>PressFit30</b> 68 mm	<b>W</b> = 73 mm <b>PressFit30</b> 73 mm		
<b>24 mm SPINDLE</b>	Press Fit 4124	Press Fit 4124	Press Fit 4124	BB3024	BB3024	PressFit 4624 (in development)	PressFit 4624 (in development)	<b>24 mm SPINDLE</b>	
	3D AGILIS (All Shimano compatible)	3D AGILIS (All Shimano compatible)	3D AGILIS (All Shimano compatible)	3D AGILIS (All Shimano compatible)	3D AGILIS (All Shimano compatible)	3D AGILIS (All Shimano compatible)	3D AGILIS (All Shimano compatible)		
<b>30 mm SPINDLE</b>	Press Fit 4130 (in development)	Press Fit 4130 (in development)	Press Fit 4130 (in development)	BB30 BEARING KIT	BB30 BEARING KIT	Press Fit 4630 (in development)	Press Fit 4630 (in development)	<b>30 mm SPINDLE</b>	
	3D+	3D+	3D+	3D+	3D+	3D+	3D+		

# ROTOR STANDARD DEVIATION BB COLLECTION ROAD BIKE



## IS YOUR FRAME THREADED?

### THREADED BB

### NON THREADED BB

		<b>D = 37 mm BB90</b>		<b>D = 41 mm</b>	<b>D = 42 mm</b>		<b>D = 46 mm</b>			
		<b>W = 68 mm BSA</b>	<b>W = 70 mm ITA</b>		<b>W = 86 mm BB86</b>	<b>W = 68 mm BB30</b>	<b>W = 79 mm BBRight California</b>	<b>W = 68 mm PressFit30</b>	<b>W = 79 mm BBRight PF</b>	<b>W = 86 mm BB386EVO</b>
24 mm SPINDLE	BB1 BSA SABB BSA TRACK BSA	BB1 ITA SABB ITA TRACK BSA		Press Fit 4124	BB30 to 24 Road			Press Fit 4624 Road	BBRight 4624	
	3D AGILIS (All Shimano compatible)	3D AGILIS (All Shimano compatible)	3D AGILIS (All Shimano compatible)	3D AGILIS (All Shimano compatible)	3D AGILIS (All Shimano compatible)	3D AGILIS (All Shimano compatible)		3D AGILIS (All Shimano compatible)	3D AGILIS (All Shimano compatible)	
30 mm SPINDLE	BSA30	ITA30		Press Fit 4130	BB30 BEARING KIT	BB30 BEARING KIT		Press Fit 4630	Press Fit 4630	Press Fit 4630
	3D+	3D+		3D+	3D+	3D+	3D+	3D+	3D+	3D+