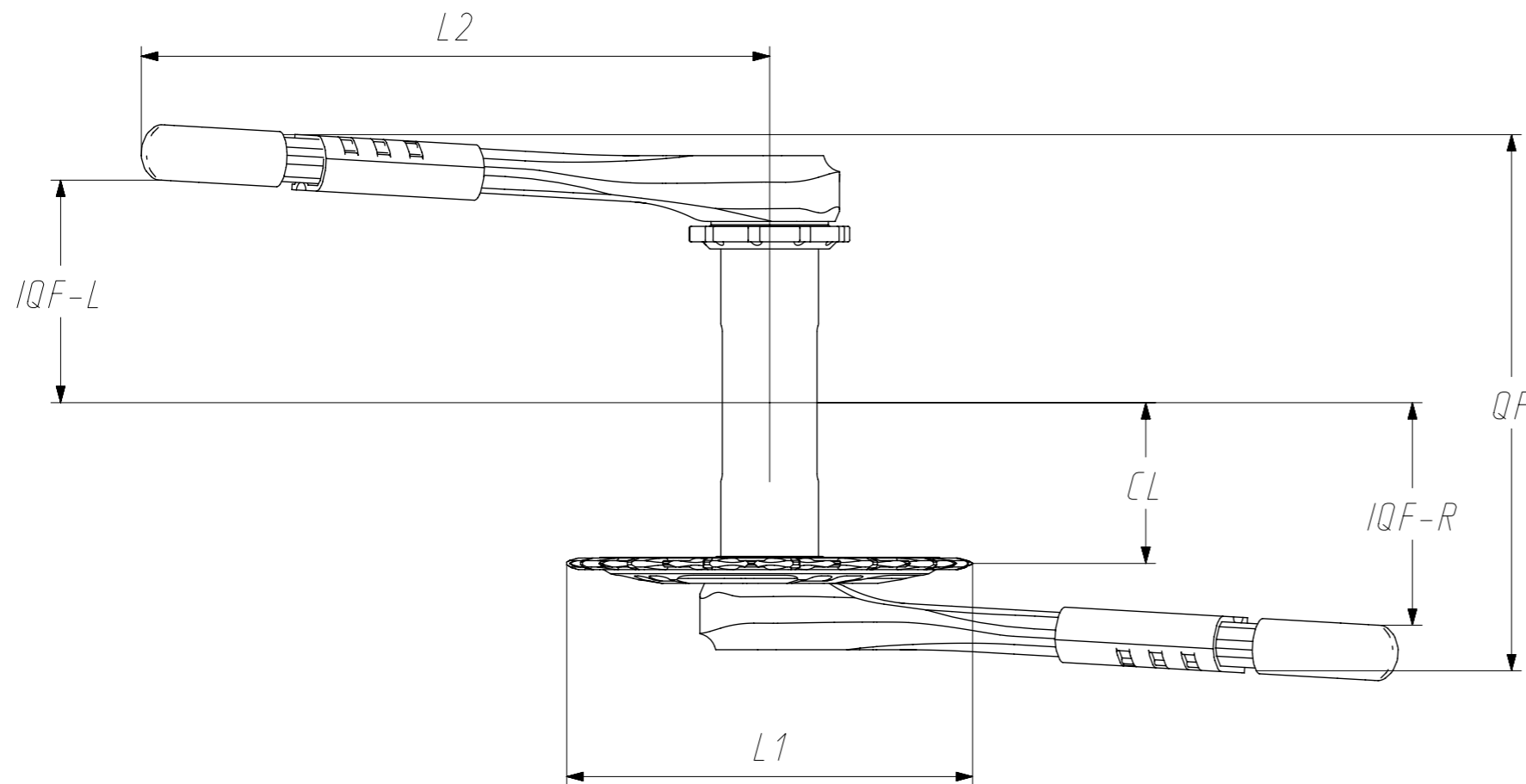
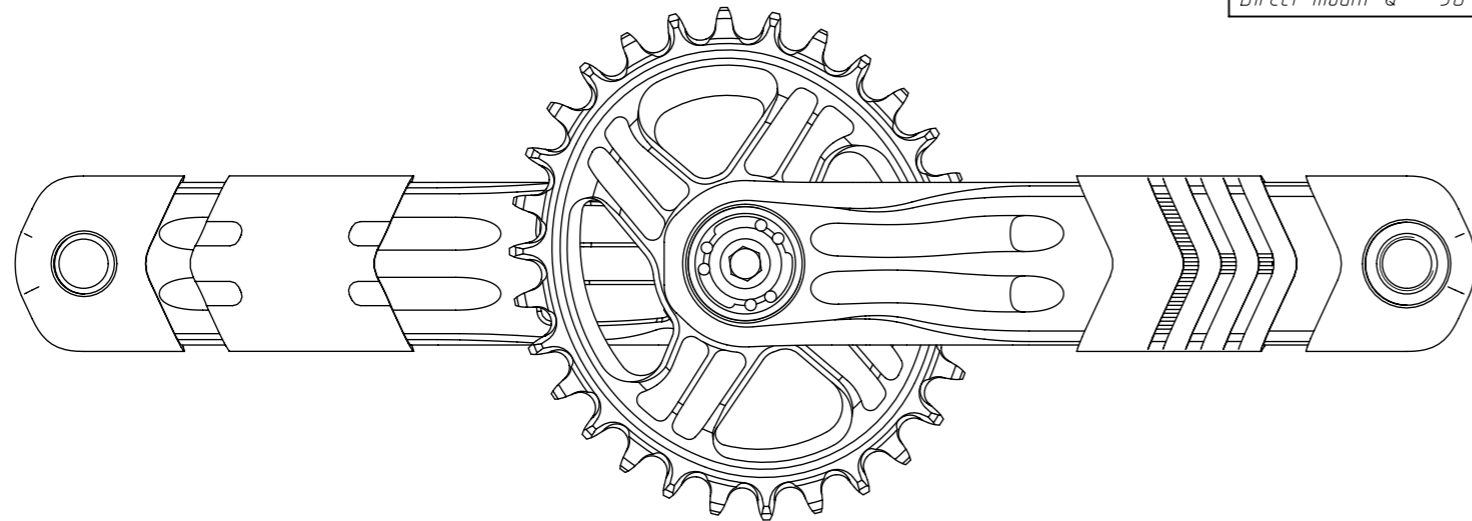




<i>Crankset frame clearance information</i>						
<i>Chainring size</i>	<i>L1 (mm) chainring max. diameter</i>	<i>L2 (mm) crankset max. length (175)</i>	<i>IQF-L (mm) Inner Q-factor left</i>	<i>IQF-R (mm) Inner Q-factor right</i>	<i>QF (mm) Total Q-Factor</i>	<i>CL (mm) Chainline</i>
<i>Direct mount Q - 28</i>	130,5	193	68,5	68,5	164	49,5
<i>Direct mount Q - 30</i>	138					
<i>Direct mount Q - 32</i>	146,5					
<i>Direct mount Q - 34</i>	154,5					
<i>Direct mount Q - 36</i>	163,5					



<i>MODEL SPECIFICATIONS</i>	
<i>CRANKSET</i>	<i>RHAWK / RRAPTOR</i>
<i>AXLE</i>	<i>STANDARD</i>
<i>SPIDER</i>	<i>DIRECT MOUNT</i>
<i>RINGS</i>	<i>DIRECT MOUNT Q-RINGS</i>