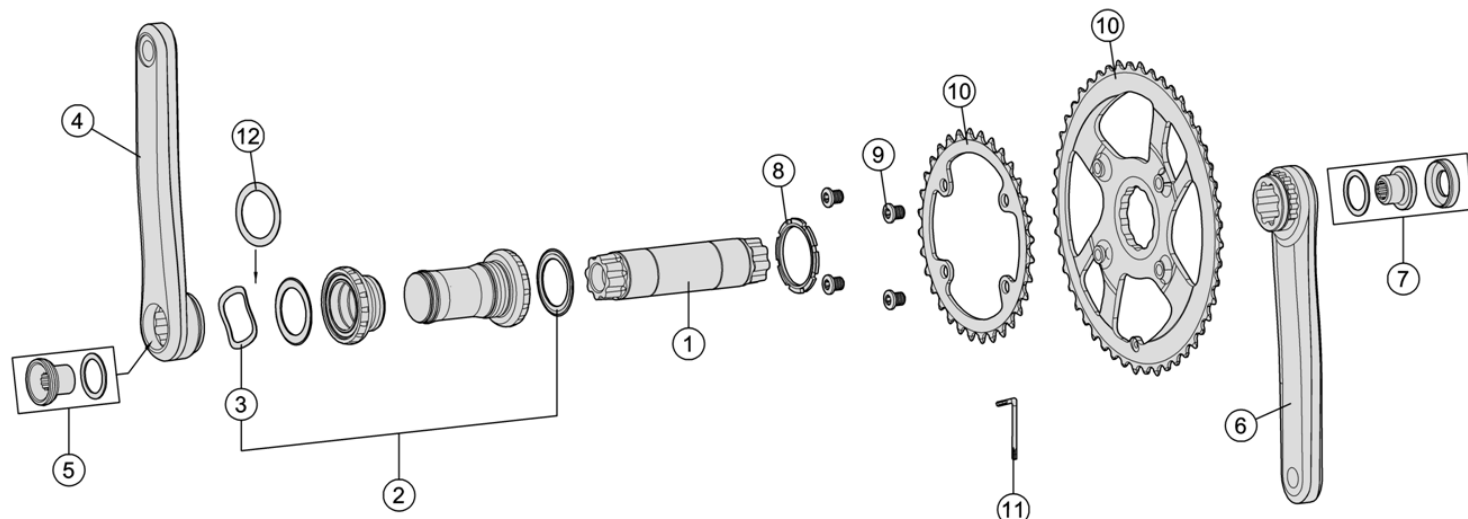


Hollow forged alloy arms ; Modular design for multiple chainring and chainline configurations



Item No.	FSA Code No.	Description	Notes
1	203-0008000060	A3160 $\phi$ 30mm Aluminum Spindle	
2	200-3201	BB-EVO8681 Road MegaEVO Bottom Bracket – $\phi$ 30mm	68mm width BSC-1.37"x24T★
3	230-5002	MW083 Wave Spring Washer	
4	340-0072005090	K1038 Energy Hollow Alloy Left Arm	175L ★
5	390-0026000600	ML032+MW201 Crank Bolt for Left Arm	
6	341-0056005090	K2038 Energy Hollow Alloy Right Arm	175L ★
7	390-0027000600	QR-21 Self-Extracting Crank Bolt Assembly	
8	390-0044000600	ML549 Modular Crank System Lockring	
9	390-0061000010	ML021 Chainring Bolts Kit	
10	370-0095007050	WA176 CNC Chainring 53T	53/39 N11★Optional parts
	370-0096005050	WB110 Pro Chainring 39T	
11	390-1090	E0020 Torx Wrench - T30	
12	230-4038	MS188 Adjustable Spacer	For adjusting spindle to bottom bracket width variation

★ Optional Parts

Item No.	FSA Code No.	Description	Notes
4	340-0072004090	K1038 Energy Hollow Alloy Left Arm	172.5L
	340-0072003090		170L
	340-0072002090		165L
6	341-0056004090	K2038 Energy Hollow Alloy Right Arm	172.5L
	341-0056003090		170L
	341-0056002090		165L
10	370-0095007050	WA176 CNC Chainring 53T	53/39 N11
	370-0096005050	WB110 Pro Chainring 39T	
10	370-0091006050	WA175 CNC Chainring 52T	52/36 N11
	370-0094003050	WB108 Pro Chainring 36T	
10	370-0078005050	WA174 CNC Chainring 50T	50/34 N11
	370-0079002050	WB109 Pro Chainring 34T	
10	370-0092004050	WA183 Alloy Chainring 48T	48/32 N11
	370-0041001050	WB412 Pro Chainring 32T	
10	370-0093003050	WA184 Alloy Chainring 46T	46/30 N11
	370-0042021050	WB007 Pro Chainring 30T	

★ For all other BB compatibility, visit <http://www.fullspeedahead.com/support/technical-information-instructions/>  
[http://fsa-4207.kxcdn.com/wp-content/uploads/2014/07/CRANKSET\\_BB-COMPATABILITY-CHART-ROAD-20160312.pdf](http://fsa-4207.kxcdn.com/wp-content/uploads/2014/07/CRANKSET_BB-COMPATABILITY-CHART-ROAD-20160312.pdf)