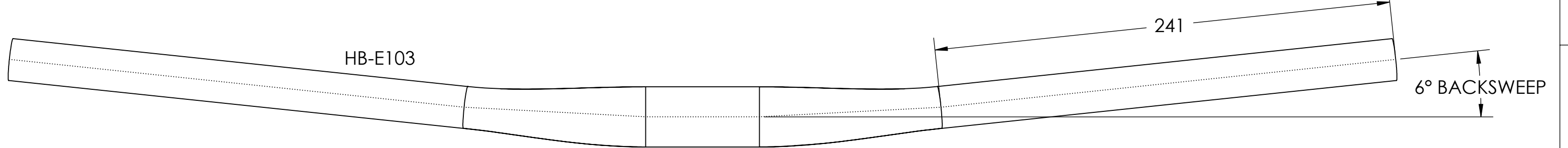
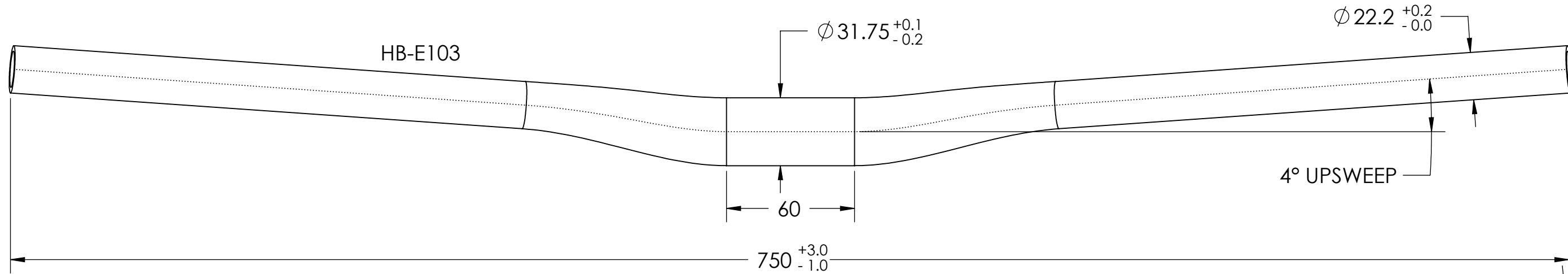
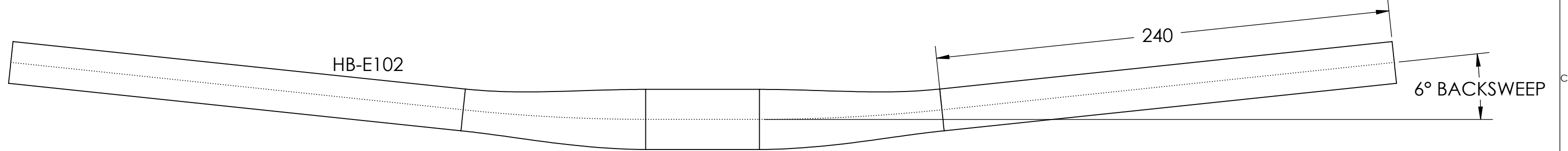
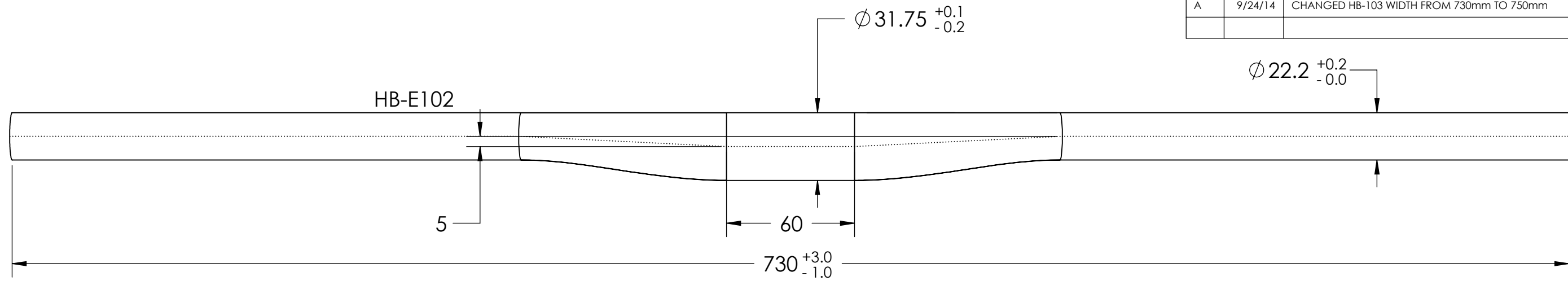


REV	DATE	DESCRIPTION	APP.
NEW	3/19/13	NEW DRAWING	GD
A	9/24/14	CHANGED HB-103 WIDTH FROM 730mm TO 750mm	GD



USED ON:	DRAWN: G DENES	DATE: 3/19/2013	<b>L.H. THOMSON COMPANY</b> CORPORATE OFFICES MACON, GA 31216
CHECKED:			
SECTION NO.	QA:	DATE:	THOMSON CARBON FLAT MTN BAR-SIZE DIAGRAM
CHANGE NO.			SIZE: B CAGE CODE: DRAWING NO. WEB 012
FILE: I:\BIKE THOMSON\117\117101-2_3 (CARBON MTN BARS) REV A			SHEET 1 OF 1